



SOLVANG TECHNOLOY INC.

www.solvangtech.com

Email : sales@solvangtech.com

12.4GHZ SMA FEMALE CONNECTOR

END LAUNCH PCB , 1.6MM

P/NO.STI06-0001



SPECIFICATION

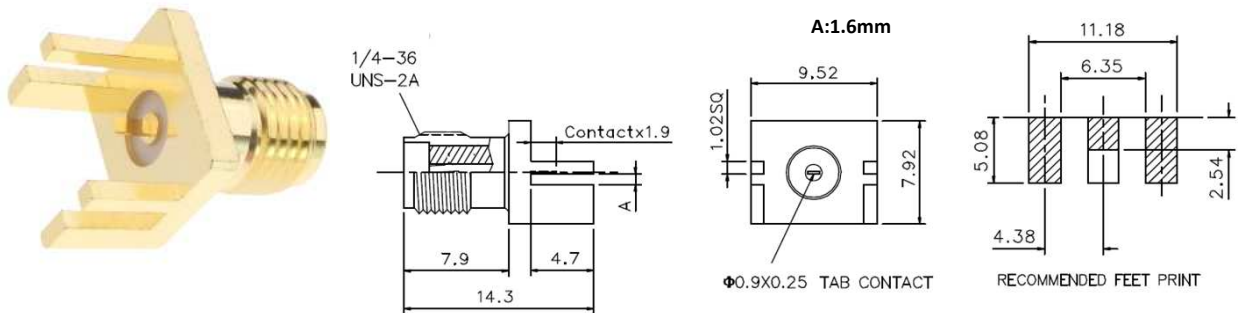
Frequency	DC-12.4GHz
Impedance:	50Ohm
Durability:	500 Cycles
Temperature:	-65~155℃
Connection:	SMA Female

MATERIAL LIST

Part	Material	Plated
Body	Brass	Gold
Insulator	Teflon	
Center Pin	Beryllium Copper	Gold

OUTLINE DRAWING

Unit:mm



Any more request, please contact sales@solvangtech.com. Thank you ~



SOLVANG TECHNOLOGY INC.

www.solvangtech.com

Email : sales@solvangtech.com

12.4GHZ SMA FEMALE CONNECTOR

END LAUNCH PCB , 1.6MM

P/NO.STI06-0002



SPECIFICATION

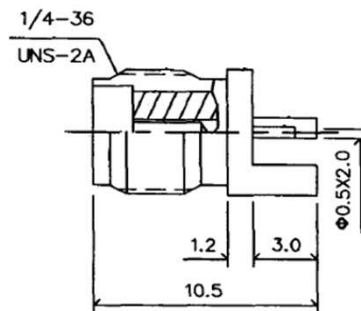
Frequency	DC-12.4GHz
Impedance:	50Ohm
Durability:	500 Cycles
Temperature:	-65~155℃
Connection:	SMA Female

MATERIAL LIST

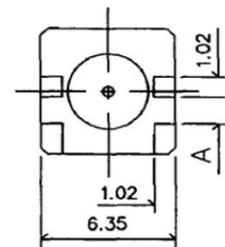
Part	Material	Plated
Body	Brass	Gold
Insulator	Teflon	
Center Pin	Beryllium Copper	Gold

OUTLINE DRAWING

Unit:mm



A=1.6



Any more request, please contact sales@solvangtech.com. Thank you ~



SOLVANG TECHNOLOGY INC.

www.solvangtech.com

Email : sales@solvangtech.com

12.4GHZ SMA FEMALE CONNECTOR END LAUNCH PCB ,1.0MM P/NO.STI06-0003



SPECIFICATION

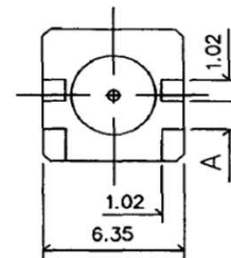
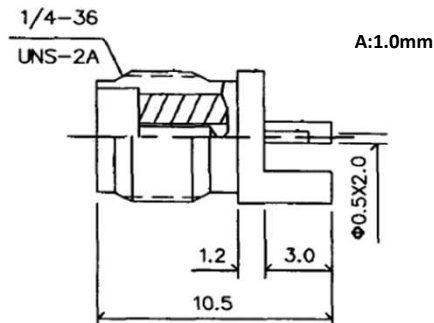
Frequency	DC-12.4GHz
Impedance:	50Ohm
Durability:	500 Cycles
Temperature:	-65~155℃
Connection:	SMA Female

MATERIAL LIST

Part	Material	Plated
Body	Brass	Gold
Insulator	Teflon	
Center Pin	Beryllium Copper	Gold

OUTLINE DRAWING

Unit:mm



Any more request, please contact sales@solvangtech.com. Thank you ~



SOLVANG TECHNOLOGY INC.

www.solvangtech.com

Email : sales@solvangtech.com

12.4GHZ SMA FEMALE CONNECTOR
2HOLE FLANGE SOLDER CUP TERMINAL
P/NO.STI06-0004



SPECIFICATION

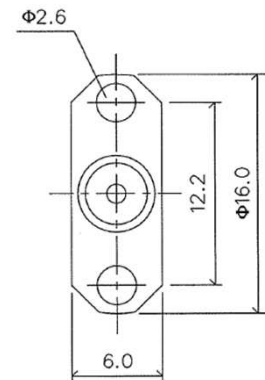
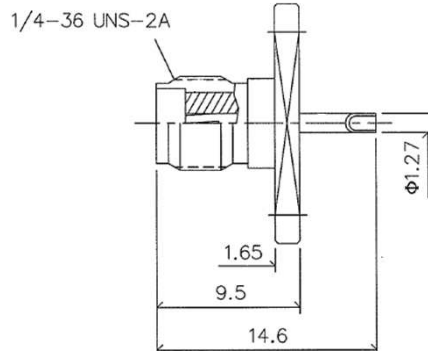
Frequency	DC-12.4GHz
Impedance:	50Ohm
Durability:	500 Cycles
Temperature:	-65~155℃
Connection:	SMA Female

MATERIAL LIST

Part	Material	Plated
Body	Brass	Gold
Insulator	Teflon	
Center Pin	Beryllium Copper	Gold

OUTLINE DRAWING

Unit:mm



Any more request, please contact sales@solvangtech.com. Thank you ~



SOLVANG TECHNOLOGY INC.

www.solvangtech.com

Email : sales@solvangtech.com

12.4GHZ SMA FEMALE CONNECTOR
4HOLE FLANGE SOLDER CUP TERMINAL
P/NO.STI06-0005



SPECIFICATION

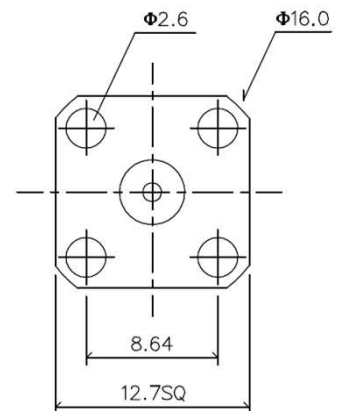
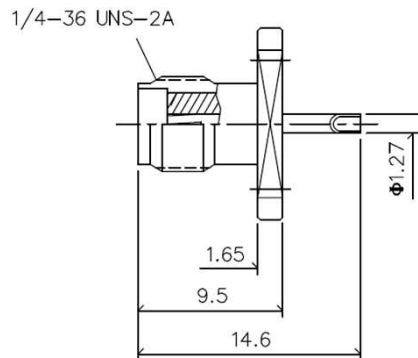
Frequency	DC-12.4GHz
Impedance:	50Ohm
Durability:	500 Cycles
Temperature:	-65~155℃
Connection:	SMA Female

MATERIAL LIST

Part	Material	Plated
Body	Brass	Gold
Insulator	Teflon	
Center Pin	Beryllium Copper	Gold

OUTLINE DRAWING

Unit:mm



Any more request, please contact sales@solvangtech.com. Thank you ~



SOLVANG TECHNOLOGY INC.

www.solvangtech.com

Email : sales@solvangtech.com

6GHZ SMA FEMALE CONNECTOR

THRU HOLE PCB

P/NO.STI06-0006



SPECIFICATION

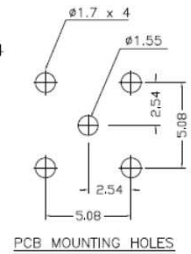
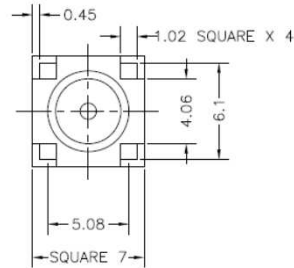
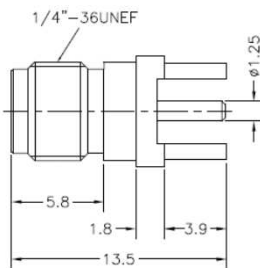
Frequency	DC-6GHz
Impedance:	50Ohm
Durability:	500 Cycles
Temperature:	-40~85℃
Connection:	SMA Female

MATERIAL LIST

Part	Material	Plated
Body	Brass	Gold
Insulator	Teflon	
Center Pin	Phosphor Bronze	Gold

OUTLINE DRAWING

Unit:mm



Any more request, please contact sales@solvangtech.com. Thank you ~



12.4GHZ SMA FEMALE CONNECTOR

END LAUNCH PCB , 1.0MM

P/NO.STI06-0007



SPECIFICATION

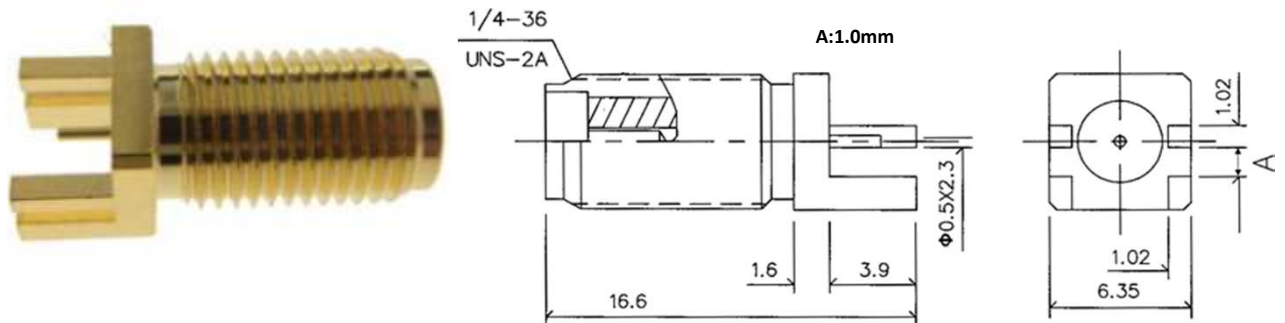
Frequency	DC-12.4GHz
Impedance:	50ohm
Durability:	500 Cycles
Temperature:	-65~155℃
Connection:	SMA Female

MATERIAL LIST

Part	Material	Plated
Body	Brass	Gold
Insulator	Teflon	
Center Pin	Beryllium Copper	Gold

OUTLINE DRAWING

Unit:mm





SOLVANG TECHNOLOGY INC.

www.solvangtech.com

Email : sales@solvangtech.com

6GHZ SMA FEMALE CONNECTOR

EDGE CARD MOUNT

P/NO.ST106-0008



SPECIFICATION

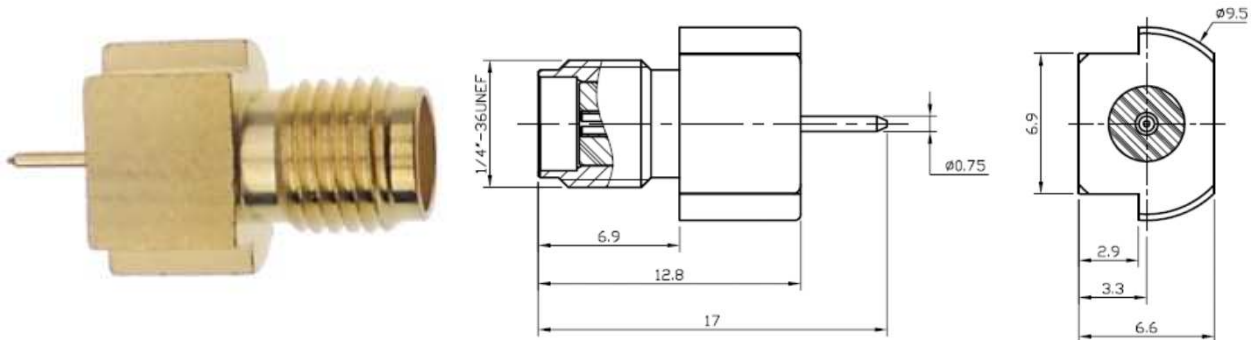
Frequency	DC-6GHz
Impedance:	50Ohm
Durability:	500 Cycles
Temperature:	-40~85℃
Connection:	SMA Female

MATERIAL LIST

Part	Material	Plated
Body	Brass	Gold
Insulator	Teflon	
Center Pin	Phosphor Bronze	Gold

OUTLINE DRAWING

Unit:mm



Any more request, please contact sales@solvangtech.com. Thank you ~